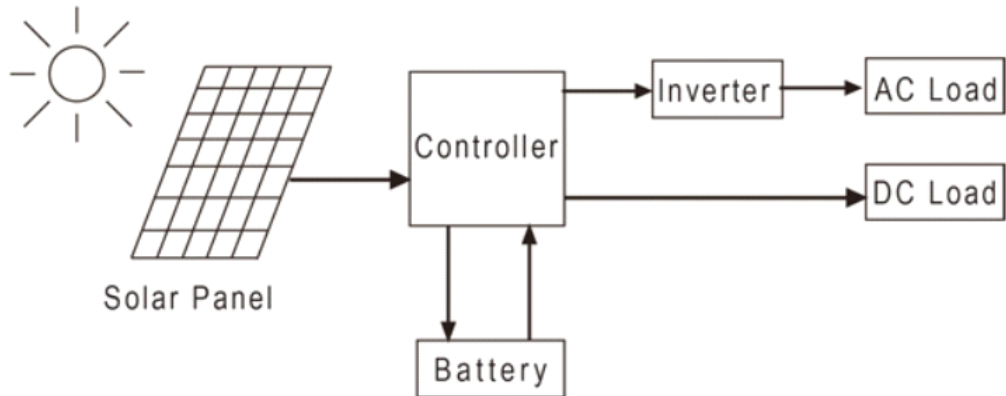
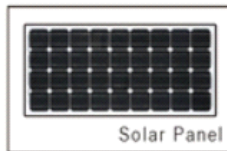


Off- Grid System

Sketch:



Parts:



Model	Loads	Power	Working time/day(h)	Configuration
100W system	A 14" color TV set	40W	4	200W sine wave inverter 220V output
	energy-saving lamps	5W	5	
	energy-saving lamps	7W	5	
200W system	A 21" color TV set	80W	5	300W sine wave inverter 220V output
	energy-saving lamps	9W	5	
	energy-saving lamps	9W	5	
300W system	A 21" color TV set	80W	6	500W sine wave inverter 220V output
	fans	40W	8	
	energy-saving lamps	11W*2	6	
500W system	A 29" color TV set	120W	6	800W sine wave inverter 220V output
	fans	40W	8	
	energy-saving lamps	11W*3	6	
800W system	A 29" color TV set	120W	6	1000W sine wave inverter 220V output
	fans	70W	8	
	washers	230W	0.5	
	energy-saving lamps	13W*4	6	
1000W system	A 29" color TV set	120W	6	1200W sine wave inverter 220V output
	fans	70W	10	
	electric cookers	800W	0.5	
	energy-saving lamps	15W*4	6	